

DGB

Special alloy pumps



All product images are indicative only

General characteristics

Special alloy pump	
motor power	0,37 ÷ 1,5 kW
poles	2
discharge	GAS 2" vertical
free passage	max 38 mm
max flow rate	10.6 l/s
max head	15 m

Electromechanical assembly

Electromechanical assembly in B10 bronze, for submerged operation. Seal set comprising 2 (two) silicon carbide mechanical seals assembled opposing and with oil lubrication. Oil bath motor.

Applications

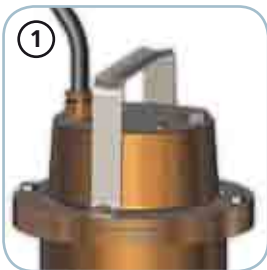
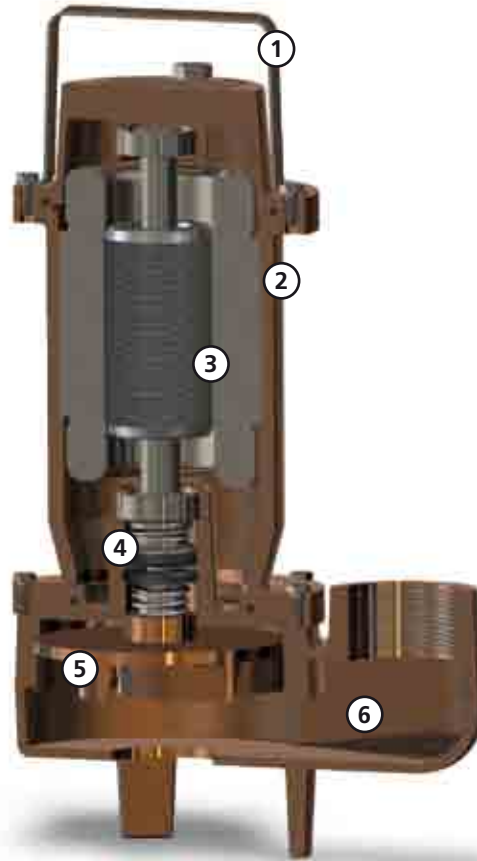
Suitable for lifting chemically aggressive soiled liquids, dyes and seawater. These units are therefore ideal for applications in the tanning industry, the paper industry and the shipping sector.

Construction materials

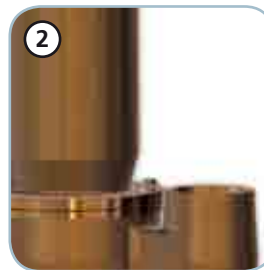
Case	Bronze B10
Impeller	Bronze B10
Nuts and bolts	Stainless steel - Class A4
Standard gasket	Rubber - VITON
Shaft	Stainless steel - AISI 316
Set of standard mechanical seals	Two silicon carbide mechanical seals (2SiC)

Operating limits

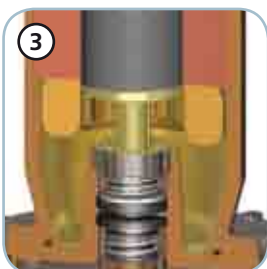
Maximum operating temperature	40 °C
PH of treated fluid	5 ÷ 11
Viscosity of treated fluid	1 mm ² /s
Maximum immersion depth	20 m
Density of treated fluid	1 Kg/dm ³
Maximum acoustic pressure	70 dB
max starts per hour	30



Handle
AISI 316 stainless steel lifting and carrying handle.



Structure
B10 bronze construction which makes the pump suitable for use with chemically aggressive liquids.



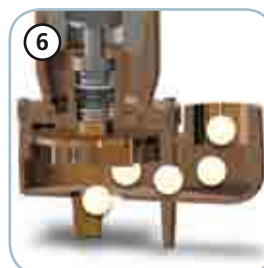
Motor
Oil-bath motor with thermal protections.



Mechanical seals
Two mechanical seals in silicon carbide (2SiC).



Impeller
Vortex impeller in B10 bronze.



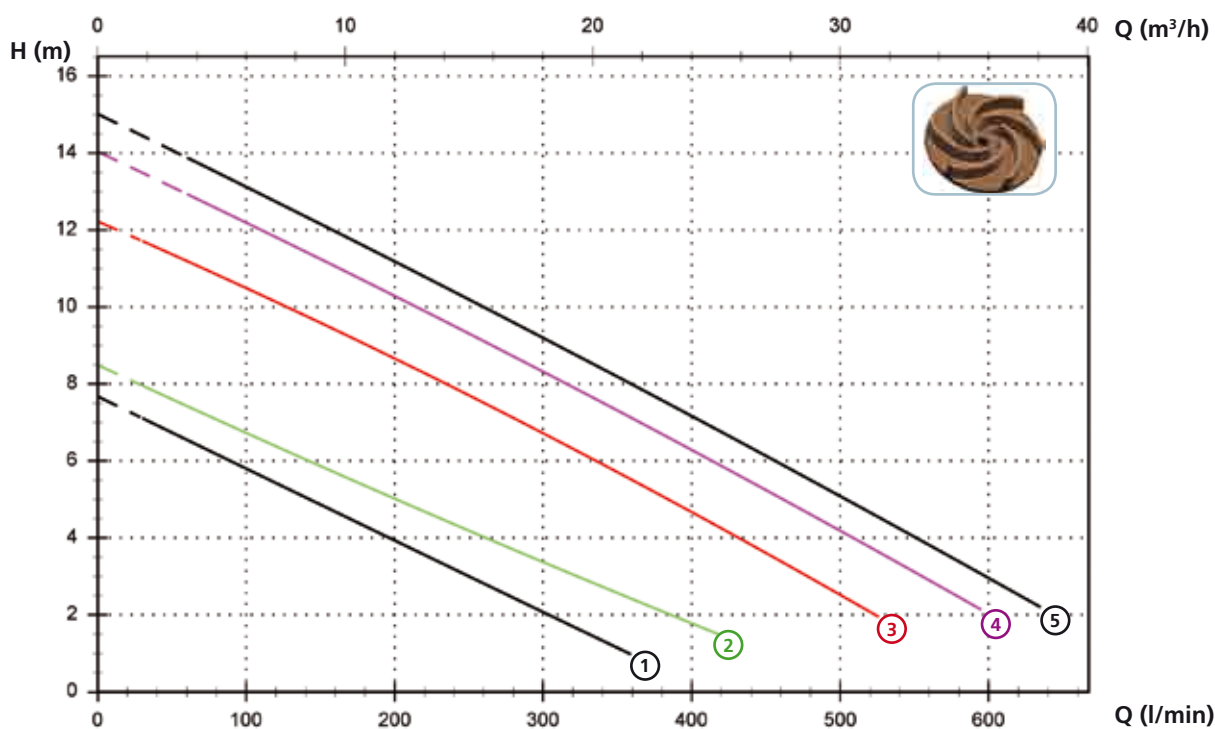
Free passage
Wide free passage allowing the expulsion of solids and preventing fouling of the impeller.

DGB

Models with vertical GAS 1 1/4" threaded discharge - 2 poles

Performances

	l/s	0	1	2	3	4	5	6	7	8	9	10
	l/min	0	60	120	180	240	300	360	420	480	540	600
	m ³ /h	0	3.6	7.2	10.8	14.4	18.0	21.6	25.2	28.8	32.4	36.0
①	DGB 50/2/G50V A0CM(T)/50	7.7	6.6	5.4	4.3	3.2	2.1					
②	DGB 75/2/G50V A0CM (T)/50	8.5	7.4	6.4	5.4	4.4	3.4	2.4				
③	DGB 100/2/G50V A0CM (T)/50	12.2	11.2	10.1	9.0	7.9	6.7	5.5	4.3	3.0		
④	DGB 150/2/G50V A0CM (T)/50	14.0	12.9	11.8	10.7	9.5	8.3	7.1	5.9	4.6	3.3	
⑤	DGB 200/2/G50V A0CM (T)/50	15.0	13.9	12.7	11.6	10.4	9.2	8.0	6.8	5.5	4.2	3.0



Technical data

	V	Phases	P1 (kW)	P2 (kW)	A	Rpm	Start	Ø	Free passage	
①	DGB 50/2/G50V A0CM/50	230	1	-	0.37	2.9	2900	Dir	G 2"	38 mm
②	DGB 75/2/G50V A0CM/50	230	1	-	0.55	3.9	2900	Dir	G 2"	38 mm
③	DGB 100/2/G50V A0CM/50	230	1	-	0.88	6.5	2900	Dir	G 2"	38 mm
④	DGB 150/2/G50V A0CM/50	230	1	-	1.1	8.2	2900	Dir	G 2"	38 mm
⑤	DGB 200/2/G50V A0CM/50	230	1	-	1.5	9.3	2900	Dir	G 2"	38 mm

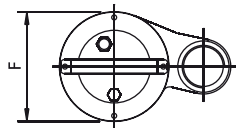
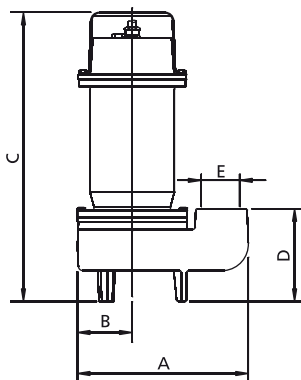
	V	Phases	P1 (kW)	P2 (kW)	A	Rpm	Start	Ø	Free passage	
①	DGB 50/2/G50V A0CT/50	400	3	-	0.37	1.1	2900	Dir	G 2"	38 mm
②	DGB 75/2/G50V A0CT/50	400	3	-	0.55	1.4	2900	Dir	G 2"	38 mm
③	DGB 100/2/G50V A0CT/50	400	3	-	0.88	2.3	2900	Dir	G 2"	38 mm
④	DGB 150/2/G50V A0CT/50	400	3	-	1.1	2.7	2900	Dir	G 2"	38 mm
⑤	DGB 200/2/G50V A0CT/50	400	3	-	1.5	3.6	2900	Dir	G 2"	38 mm

Versions available

(Key to versions on page 16)

	Electrical variants											Cooling				Mechanical seals				
	N A E	T	T C	T C D	T C D T	T C D G T	T C G	T C S T	T C S G T	T S	T R	T R G	N	CC CCE	FT	C G F T	2SIC	SICM	SICAL	2SICAL
DGB 50/2/G50V A0CM/50	●							●	●			●					●			
DGB 75/2/G50V A0CM/50	●							●	●			●					●			
DGB 100/2/G50V A0CM/50	●							●	●			●					●			
DGB 150/2/G50V A0CM/50	●							●	●			●					●			
DGB 200/2/G50V A0CM/50	●							●	●			●					●			
DGB 50/2/G50V A0CT/50	●											●					●			
DGB 75/2/G50V A0CT/50	●											●					●			
DGB 100/2/G50V A0CT/50	●											●					●			
DGB 150/2/G50V A0CT/50	●											●					●			
DGB 200/2/G50V A0CT/50	●											●					●			

Overall dimensions and weights



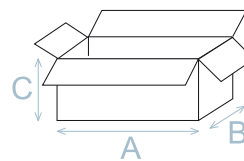
	A	B	C	D	E	F	kg
DGB 50/2/G50V A0CM(T)/50	225	75	360	120	G 2"	155	16.5
DGB 75/2/G50V A0CM(T)/50	225	75	360	120	G 2"	155	18
DGB 100/2/G50V A0CM(T)/50	245	80	410	130	G 2"	155	22
DGB 150/2/G50V A0CM(T)/50	245	80	410	130	G 2"	155	23
DGB 200/2/G50V A0CM(T)/50	245	80	410	130	G 2"	155	26

Dimensions in mm

All weights and dimensions are indicative only

Packaging dimension

	A	B	C
DGB 50/2/G50V A0CM(T)/50	385	225	245
DGB 75/2/G50V A0CM(T)/50	385	225	245
DGB 100/2/G50V A0CM(T)/50	475	285	235
DGB 150/2/G50V A0CM(T)/50	475	285	235
DGB 200/2/G50V A0CM(T)/50	475	285	235



Dimension in mm

All weights and dimensions are indicative only

Installations available

