

# DGE

## Set-back vortex impeller

All product images are indicative only



### General characteristics

set-back vortex impeller	
motor power	0,37 ÷ 1,5 kW
poles	2
discharge	GAS 2" vertical GAS 2" - DN50 horizontal
free passage	max 50 mm
max flow rate	11.6 l/s
max head	15.7 m

### Electromechanical assembly

Electromechanical assembly in GJL-250 cast iron, for submerged operation. Seal set comprising 1 (one) silicon carbide mechanical seal and 1 (one) lip seal. Ecological dry motor.

### Applications

Suitable with slightly soiled biological wastewaters and sewage. Suitable for domestic and residential use.

### Construction materials

Case	Cast iron EN-GJL 250
Impeller	Cast iron EN-GJL-250
Nuts and bolts	Stainless steel - Class A2-70
Standard gasket	Rubber - NBR
Shaft	Stainless Steel - AISI 420
Paint type	Ecological bicomponent epoxy (medium thickness 80 µm)
Set of standard mechanical seals	One silicon carbide mechanical seal (SiC) and one lip seal

### Operating limits

Maximum operating temperature	40 °C
PH of treated fluid	6 ÷ 14
Viscosity of treated fluid	1 mm <sup>2</sup> /s
Maximum immersion depth	20 m
Density of treated fluid	1 Kg/dm <sup>3</sup>
Maximum acoustic pressure	70 dB
Max starts per hour	30



**Handle**  
AISI 304 stainless steel lifting and carrying handle.



**Capacitor/relay**  
Single-phase models with internal capacitor. Three-phase models with motor protection relay (option).



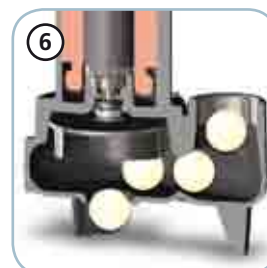
**Motor**  
Ecological dry motor with thermal protections.



**Mechanical seals**  
One mechanical seal in silicon carbide (SiC) and one lip seal.



**Impeller**  
Cast iron vortex impeller.



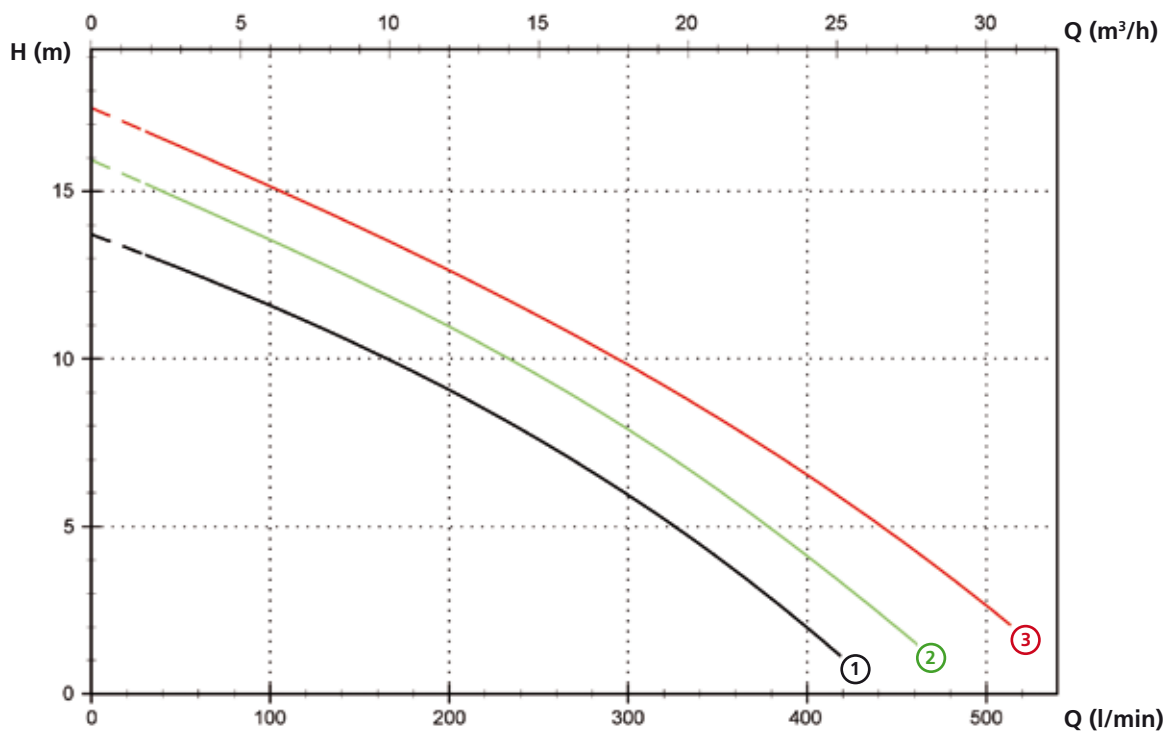
**Free passage**  
Wide free passage allowing the expulsion of solids and preventing fouling of the impeller.

# DGE

## Models with vertical GAS 1½" threaded discharge - 2 poles

### Performances

	l/s	0	2	4	6	8
	l/min	0	120	240	360	480
	m³/h	0	7.2	14.4	21.6	28.8
①	DGE 100/2/G40V A0CM(T)/50	13.7	11.1	7.9	3.7	
②	DGE 150/2/G40V A0CM(T)/50	15.9	13.1	9.8	5.7	
③	DGE 200/2/G40V A0CM(T)/50	17.5	14.7	11.6	7.9	3.5



### Technical data

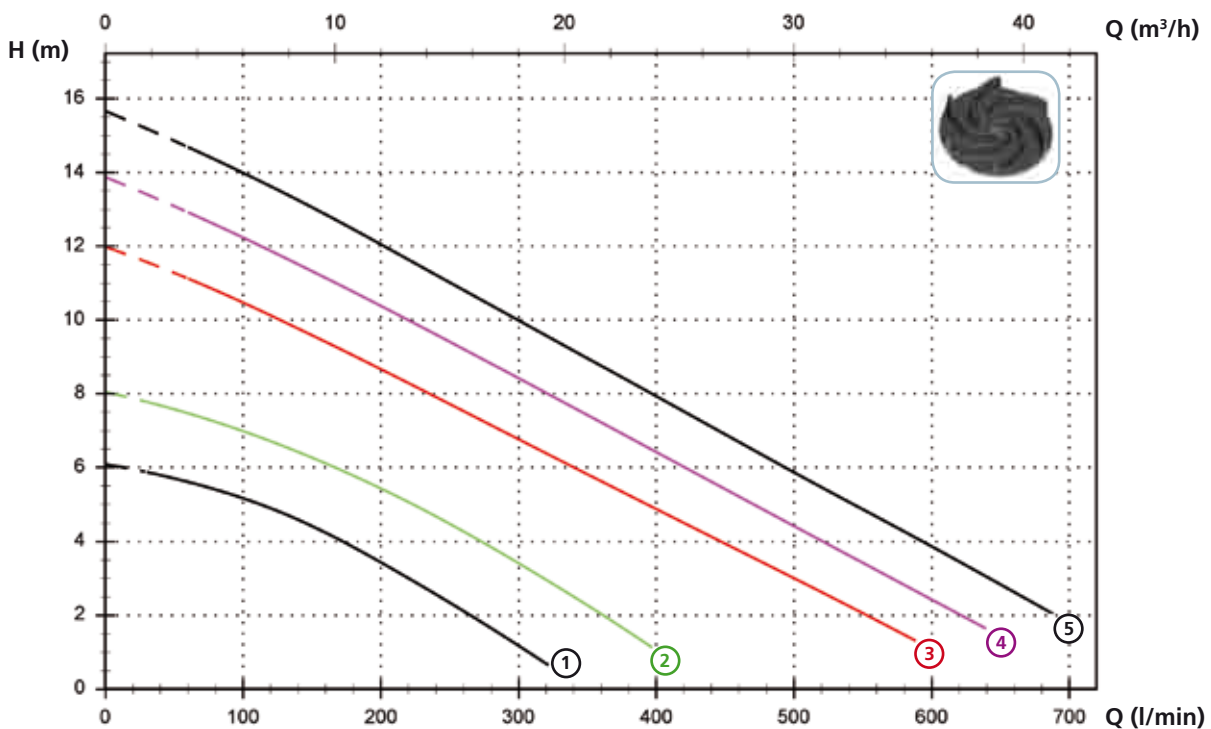
	V	Phases	P1 (kW)	P2 (kW)	A	Rpm	Start	Ø	Free passage	
①	DGE 100/2/G40V A0CM/50	230	1	-	0.88	6.0	2900	Dir	G 1½"	40 mm
②	DGE 150/2/G40V A0CM/50	230	1	-	1.1	7.6	2900	Dir	G 1½"	40 mm
③	DGE 200/2/G40V A0CM/50	230	1	-	1.5	8.9	2900	Dir	G 1½"	40 mm

	V	Phases	P1 (kW)	P2 (kW)	A	Rpm	Start	Ø	Free passage	
①	DGE 100/2/G40V A0CT/50	400	3	-	0.88	2.0	2900	Dir	G 1½"	40 mm
②	DGE 150/2/G40V A0CT/50	400	3	-	1.1	2.46	2900	Dir	G 1½"	40 mm
③	DGE 200/2/G40V A0CT/50	400	3	-	1.5	3.2	2900	Dir	G 1½"	40 mm

Models with vertical GAS 2" threaded discharge - 2 poles

Performances

	l/s	0	2	4	6	8	10
	l/min	0	120	240	360	480	600
	m <sup>3</sup> /h	0	7.2	14.4	21.6	28.8	36.0
①	DGE 50/2/G50V B0BM(T)/50	6.1	4.9	2.6			
②	DGE 75/2/G50V B0BM(T)/50	8.0	6.7	4.7	2.0		
③	DGE 100/2/G50V B0CM(T)/50	12.0	10.1	7.9	5.6	3.4	
④	DGE 150/2/G50V B0CM(T)/50	13.9	11.9	9.6	7.2	4.8	2.4
⑤	DGE 200/2/G50V B0CM(T)/50	15.7	13.6	11.2	8.8	6.3	3.9



Technical data

	V	Phases	P1 (kW)	P2 (kW)	A	Rpm	Start	Ø	Free passage	
①	DGE 50/2/G50V B0BM/50	230	1	-	0.37	2.8	2900	Dir	G 2"	40 mm
②	DGE 75/2/G50V B0BM/50	230	1	-	0.55	3.6	2900	Dir	G 2"	40 mm
③	DGE 100/2/G50V B0CM/50	230	1	-	0.88	6.5	2900	Dir	G 2"	50 mm
④	DGE 150/2/G50V B0CM/50	230	1	-	1.1	8.2	2900	Dir	G 2"	50 mm
⑤	DGE 200/2/G50V B0CM/50	230	1	-	1.5	9.4	2900	Dir	G 2"	50 mm

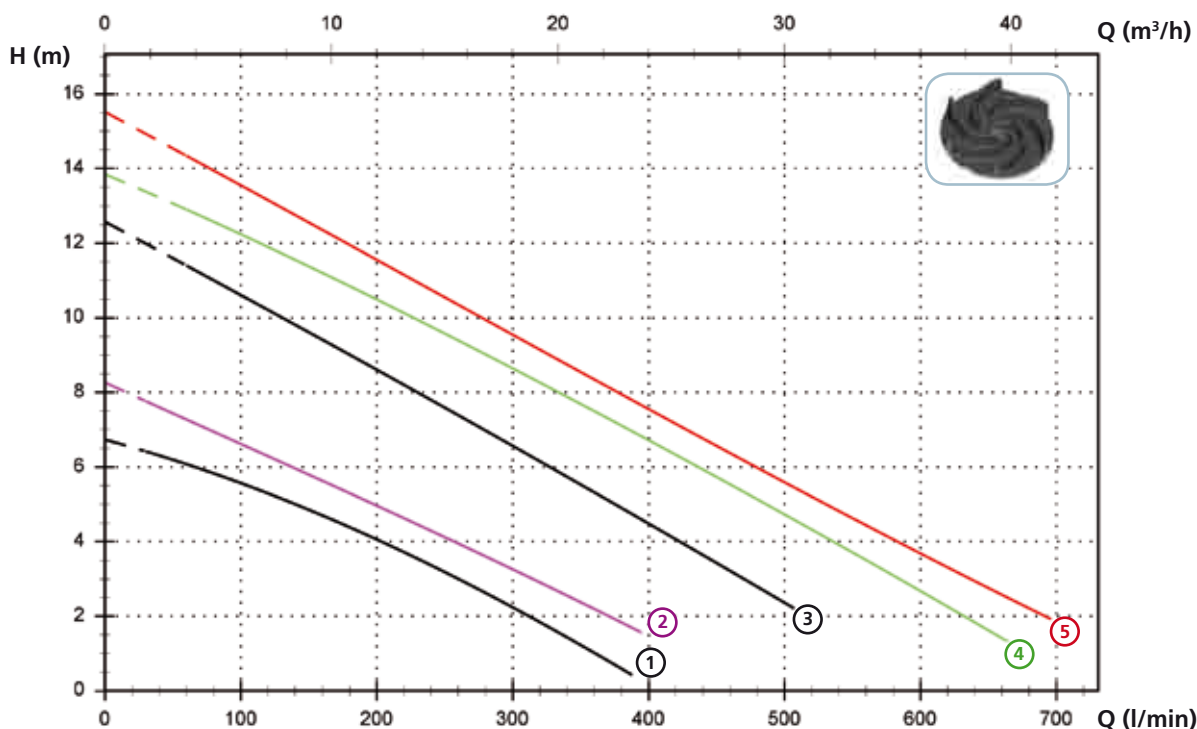
	V	Phases	P1 (kW)	P2 (kW)	A	Rpm	Start	Ø	Free passage	
①	DGE 50/2/G50V B0BT/50	400	3	-	0.37	1.1	2900	Dir	G 2"	40 mm
②	DGE 75/2/G50V B0BT/50	400	3	-	0.55	1.3	2900	Dir	G 2"	40 mm
③	DGE 100/2/G50V B0CT/50	400	3	-	0.88	2.2	2900	Dir	G 2"	50 mm
④	DGE 150/2/G50V B0CT/50	400	3	-	1.1	2.6	2900	Dir	G 2"	50 mm
⑤	DGE 200/2/G50V B0CT/50	400	3	-	1.5	3.6	2900	Dir	G 2"	50 mm

# DGE

## Models with horizontal GAS 2" threaded - DN50 PN10-16 flanged discharge - 2 poles

### Performances

	l/s	0	2	4	6	8	10
	l/min	0	120	240	360	480	600
	m <sup>3</sup> /h	0	7.2	14.4	21.6	28.8	36.0
①	DGE 50/2/G50H A1BM/50	6.7	5.3	3.4	1.0		
②	DGE 75/2/G50H A1BM/50	8.3	6.3	4.3	2.2		
③	DGE 100/2/G50H A0CM/50	12.6	10.2	7.8	5.3	2.8	
④	DGE 150/2/G50H A0CM/50	13.8	11.9	9.8	7.5	5.1	2.7
⑤	DGE 200/2/G50H A0CM/50	15.5	13.2	10.8	8.3	6.0	3.7



### Technical data

	V	Phases	P1 (kW)	P2 (kW)	A	Rpm	Start	Ø	Free passage	
①	DGE 50/2/G50H A1BM/50	230	1	-	0.37	2.8	2900	Dir	G2" - DN50 PN10-16	40 mm
②	DGE 75/2/G50H A1BM/50	230	1	-	0.55	3.6	2900	Dir	G2" - DN50 PN10-16	40 mm
③	DGE 100/2/G50H A0CM/50	230	1	-	0.88	6.5	2900	Dir	G2" - DN50 PN10-16	50 mm
④	DGE 150/2/G50H A0CM/50	230	1	-	1.1	8.2	2900	Dir	G2" - DN50 PN10-16	50 mm
⑤	DGE 200/2/G50H A0CM/50	230	1	-	1.5	9.4	2900	Dir	G2" - DN50 PN10-16	50 mm

	V	Phases	P1 (kW)	P2 (kW)	A	Rpm	Start	Ø	Free passage	
①	DGE 50/2/G50H A1BT/50	400	3	-	0.37	1.1	2900	Dir	G2" - DN50 PN10-16	40 mm
②	DGE 75/2/G50H A1BT/50	400	3	-	0.55	1.3	2900	Dir	G2" - DN50 PN10-16	40 mm
③	DGE 100/2/G50H A0CT/50	400	3	-	0.88	2.2	2900	Dir	G2" - DN50 PN10-16	50 mm
④	DGE 150/2/G50H A0CT/50	400	3	-	1.1	2.6	2900	Dir	G2" - DN50 PN10-16	50 mm
⑤	DGE 200/2/G50H A0CT/50	400	3	-	1.5	3.6	2900	Dir	G2" - DN50 PN10-16	50 mm

**Versions available**

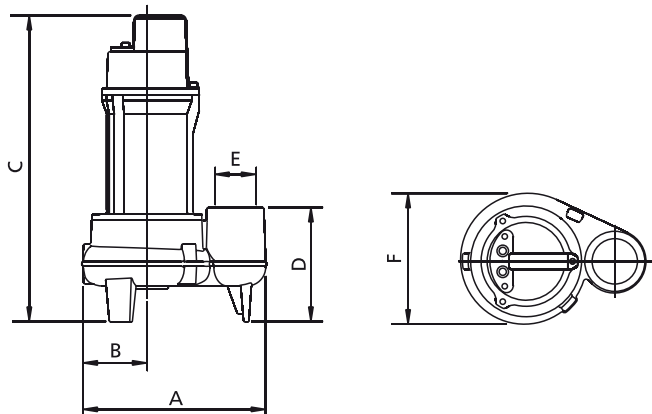
(Key to versions on page 16)

	Electrical variants											Cooling				Mechanical seals				
	N A E	T	T C	T C D	T C D T	T C D G T	T C G	T C S T	T C S G T	T S	T R	T R G	N	CC CCE	FT	C G F T	2SIC	SICM	SICAL	2SICAL
DGE 100/2/G40V A0CM/50			●				●					●						●		
DGE 150/2/G40V A0CM/50			●				●					●						●		
DGE 200/2/G40V A0CM/50			●				●					●						●		
DGE 100/2/G40V A0CT/50	●											●	●					●		
DGE 150/2/G40V A0CT/50	●											●	●					●		
DGE 200/2/G40V A0CT/50	●											●	●					●		
DGE 50/2/G50V B0BM/50			●				●					●						●		
DGE 75/2/G50V B0BM/50			●				●					●						●		
DGE 100/2/G50V B0CM/50			●				●					●						●		
DGE 150/2/G50V B0CM/50			●				●					●						●		
DGE 200/2/G50V B0CM/50			●				●					●						●		
DGE 50/2/G50V B0BT/50	●											●	●					●		
DGE 75/2/G50V B0BT/50	●											●	●					●		
DGE 100/2/G50V B0CT/50	●											●	●					●		
DGE 150/2/G50V B0CT/50	●											●	●					●		
DGE 200/2/G50V B0CT/50	●											●	●					●		
DGE 50/2/G50H A1BM/50			●				●					●						●		
DGE 75/2/G50H A1BM/50			●				●					●						●		
DGE 100/2/G50H A0CM/50			●				●					●						●		
DGE 150/2/G50H A0CM/50			●				●					●						●		
DGE 200/2/G50H A0CM/50			●				●					●						●		
DGE 50/2/G50H A1BT/50	●											●	●					●		
DGE 75/2/G50H A1BT/50	●											●	●					●		
DGE 100/2/G50H A0CT/50	●											●	●					●		
DGE 150/2/G50H A0CT/50	●											●	●					●		
DGE 200/2/G50H A0CT/50	●											●	●					●		

# DGE

## Overall dimensions and weights

### Models with vertical discharge

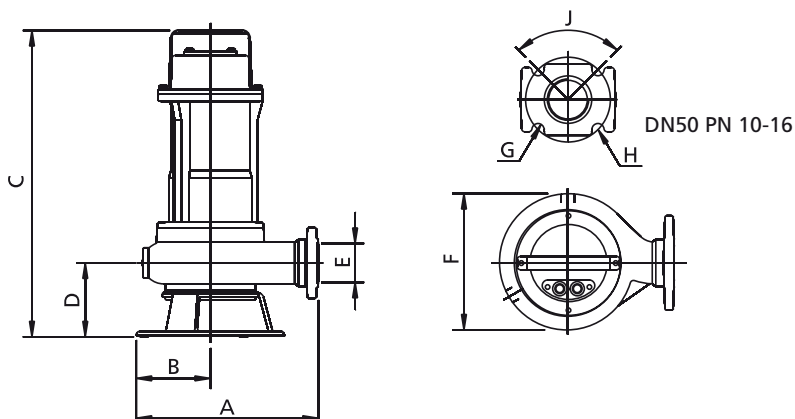


	A	B	C	D	E	F	kg
DGE 100/2/G40V A0CM(T)/50	260	100	405	125	G 1½"	205	19
DGE 150/2/G40V A0CM(T)/50	260	100	405	125	G 1½"	205	20
DGE 200/2/G40V A0CM(T)/50	260	100	405	125	G 1½"	205	21
DGE 50/2/G50V B0BM(T)/50	230	80	385	120	G 2"	165	12
DGE 75/2/G50V B0BM(T)/50	230	80	385	120	G 2"	165	14
DGE 100/2/G50V B0CM(T)/50	270	100	425	130	G 2"	205	19
DGE 150/2/G50V B0CM(T)/50	270	100	425	130	G 2"	205	20
DGE 200/2/G50V B0CM(T)/50	270	100	425	130	G 2"	205	21

Dimensions in mm

All weights and dimensions are indicative only

### Models with horizontal discharge



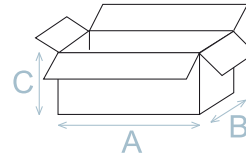
	A	B	C	D	E	F	G	H	J	kg
DGE 50/2/G50H A1BM(T)/50	220	80	365	65	G 2"-DN50	160	18	125	90°	12
DGE 75/2/G50H A1BM(T)/50	220	80	365	65	G 2"-DN50	160	18	125	90°	14
DGE 100/2/G50H A0CM(T)/50	270	110	455	110	G 2"-DN50	205	18	125	90°	19
DGE 150/2/G50H A0CM(T)/50	270	110	455	110	G 2"-DN50	205	18	125	90°	20
DGE 200/2/G50H A0CM(T)/50	270	110	455	110	G 2"-DN50	205	18	125	90°	21

Dimensions in mm

All weights and dimensions are indicative only

**Packaging dimension**

	A	B	C
DGE 100/2/G40V A0CM(T)/50	475	285	235
DGE 150/2/G40V A0CM(T)/50	475	285	235
DGE 200/2/G40V A0CM(T)/50	475	285	235
DGE 50/2/G50V B0BM(T)/50	385	225	245
DGE 75/2/G50V B0BM(T)/50	385	225	245
DGE 100/2/G50V B0CM(T)/50	475	285	235
DGE 150/2/G50V B0CM(T)/50	475	285	235
DGE 200/2/G50V B0CM(T)/50	475	285	235
DGE 50/2/G50H A1BM(T)/50	385	225	245
DGE 75/2/G50H A1BM(T)/50	385	225	245
DGE 100/2/G50H A0CM(T)/50	475	285	235
DGE 150/2/G50H A0CM(T)/50	475	285	235
DGE 200/2/G50H A0CM(T)/50	475	285	235



Dimensions in mm

All weights and dimensions are indicative only

**No. pieces per pallet**

For DGE 50-75 models each pallet (EUR 1000x1200 mm) is able to take 48 pieces.  
 For DGE 100-150-200 models each pallet (EUR 1000x1200 mm) is able to take 32 pieces.

**Installations available**

